

GROWING STRUCTURES

Farming has always been a risky business, that much we all know. But over recent years, dealing with so many natural and manmade parameters –from climate change to the impact of COVID 19 –has made us realize how critical it is for food security to be able to grow our food in a controlled environment.

In response to these growing challenges, commercial greenhouse projects are rapidly expanding.

The results speak for themselves: yields in commercial greenhouse projects are increasing by up to 810 times in comparison to open field growing. Growers can now produce crops all year round. Fresh local food is available for local markets. While resources like water and fertilizer use is being cut by up to 40%.

For investors, commercial greenhouse projects mean lower production costs, fewer risks and higher returns, while also contributing to more sustainable farming and food security. Greenhouses present an exciting future.



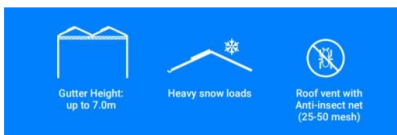
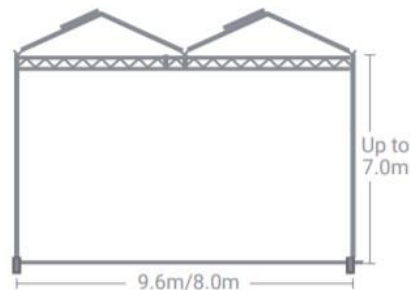
Finding the right Greenhouse solution for you:



IrriSmart Ltd
PRECISION IRRIGATION SOLUTIONS
Control, Monitoring, Support.

GROWING STRUCTURES

GREENHOUSE STRUCTURES



GLASSHOUSE

HIGH TECHNOLOGY GREENHOUSE FOR COLD CLIMATES

The glasshouse structures represent the most widely used glasshouse models currently on the market.

- These structures are available in various design applications: section sizes, glass widths, and all models come equipped with aluminum or steel gutters complete with a condensation gutters application.
- Various types of standard ventilation windows are available: From several panes to continuous roof vent openings, as well as a unique mechanism for anti-insect netting.
- These structures have a complete rainwater drainage system that discharges through the end gable post or from a gutter end (outside the greenhouse). Condensation water can be discharged separately or combined with the rainwater system.
- The heating support area is integrated into the structure during the manufacturing process, according to design.
- Structures are designed for standard loads: snow loads up to 450N/m², installation loads up to 70N/m², crop loads up to 150N/m² and hanging gutters up to 150N/m².



Bay Widths
8m, 9.6m or 12m

Gutter Heights
Up to 7m

Sections
3m – 4m – 5m



IrriSmart Ltd
PRECISION IRRIGATION SOLUTIONS
Control, Monitoring, Support.

GROWING STRUCTURES

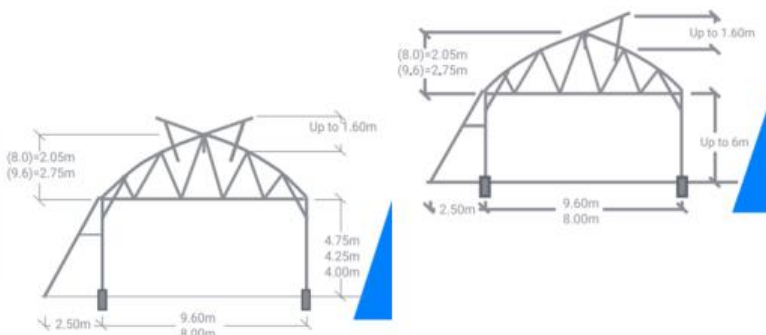
Why Choose our Glasshouse

- Flexibility in design according to customer requirements.
- Top quality greenhouse structures backed by the latest in-house horticulture technologies.
- Greater Control of Climate Conditions
- Reduction in Pests and Pest Control



GROWING STRUCTURES

POLYTHENE COVERD GREEN HOUSES



CLASSIC POLYETHYLENE GREENHOUSE
With MOVABLE SINGLE ROOF & DOUBLE ROOF VENTS



The Classic Polyethylene Greenhouse offers 5 models, to provide the optimal solution for specific climate conditions and crop requirements.

- The greenhouse polyethylene cover relates to reusable PVC or aluminum locking profiles.
- It is designed for standard wind loads and vertical loads.
- Side walls can be covered with polyethylene, polycarbonate or with curtain (manual or automated).

Bay Widths
8m or 9.6m

Gutter Heights
Up to 6m

Sections
3m – 4m – 5m

GROWING STRUCTURES



/ Why Choose our Polyethylene Greenhouse

- Fast and easy structure installation.
- Top quality greenhouse structures backed by the latest in-house horticulture technologies.
- Flexibility in design according to customer requirements.
- Proven experience in structure resistance to strong winds up to 150 km/h

GROWING STRUCTURES

GREENHOUSE CONTROL SOLUTIONS

Grow Lighting

In grow light, artificial light is used for plant growth. It is supplemental to natural light, allowing the plants to assimilate for a longer period. Especially during the winter period, grow light gives better quality for fruit vegetables, flowers and ornamentals.



Heating, Screening, and air movement

Controlling the right temperature and the right amount of light that is allowed in your greenhouse is crucial for your cultivation. Thanks to a **Heating, Screening, and Air Movement Fan** installation you can influence the climate in the greenhouse as desired and at the same time save on your energy consumption.

COMPLETE PROJECT MANAGEMENT

From idea to execution:

Whether you need technical guidance or comprehensive, end to end project management, we are equipped to deliver the ingredients you need to produce a successful project.



GROWING STRUCTURES

FRUIT COVERING TUNNELS

IrriSmart Solution offers fruit tunnels and covers for fragile outdoor crops. Such as strawberries, blackberries, raspberries, berries, and cherries.

By leading the way in technology, we make optimum use of light, air and water which is needed to grow soft fruit under plastic tunnels and covers.

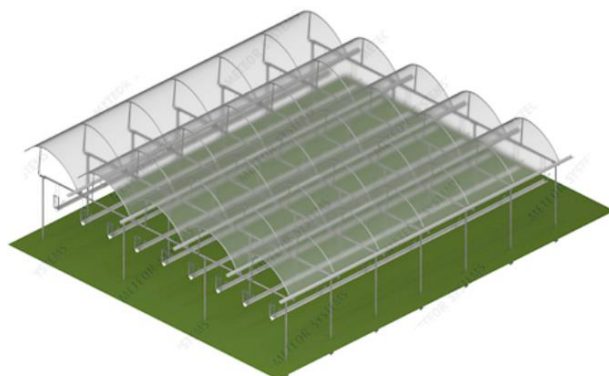


MINI AIR

- Forced cultivation: Yes
- Hoop distance: 0- 2.5 meters
- Width: 3- 3.6 meters
- Rainwater collection: Yes
- Cultivation systems: Suspended gutters
- Linked tunnels: Yes

MINI TUNNELS

- Forced cultivation: No
- Hoop distance: 2.0 meters
- Width: 1.1- 1.5 meters
- Rainwater collection: Optional
- Cultivation systems: Supported Tabletops
- Linked tunnels: Optional



RAIN COVERS

- FEATURES
- Forced cultivation: Yes
- Hoop distance: 3.0- 4.0 meters
- Width: 2.5- 3.0 meters
- Rainwater collection: No
- Cultivation system: Soil
- Linked tunnels: Yes

